

Intellian® v240K

2.4m Ku-band

Maritime VSAT Antenna System



Antenna dome features

The v240K antenna dome is combined with 12 panels which makes it easier to assemble than equivalent products. The unit comes with an optional temperature control assembly that automatically provides the dome enclosure's interior with air conditioned cooling as needed. No matter what the temperature is outside the dome, you can rest assured that the unit will be fully functioning under optimal temperature conditions inside the dome.

Wide elevation angle

The v240K's wide-look angle pedestal design is excellently suited for extremely low or high latitude areas, such as the Scandinavian Peninsula or the Equatorial regions. Empower your vessel with the ability to travel far and wide, without the worry of signal loss!

Easy installation, setup and operation

With the v240K, installation and setup are easier than ever. Once a satellite's peak signal position is acquired during first-time setup, the unit will automatically re-adjust accordingly every time it boots (bow, home sensor offset, azimuth, and elevation position), saving you huge amounts of time and effort.

Motor brakes

Motor brakes on the elevation and cross-level components prevent dish damage from sudden movements and/or shock when the unit is powered off, in transport, or in storage.

Intellian

Connect with the best

Intellian® v240K

2.4m Ku-band Maritime VSAT Antenna System

Technical Specifications

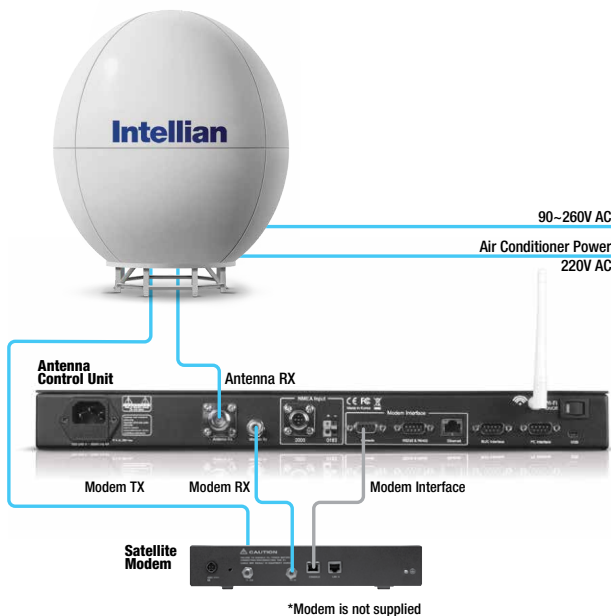
Physical	
Radome Height	410cm / 161.4"
Radome Diameter	330cm / 130.0"
Reflector Diameter	240cm / 94.5"
Antenna Weight	670kg / 1477lbs
Stabilized Pedestal Assembly	
Platform	3-axis : Azimuth, Elevation, Cross-level
Azimuth Range	Unlimited
Elevation Range	-15° to +120°
Cross-level Range	±30°
Stabilized Accuracy	0.2° peak mis-pointing @ max ship motion condition
Motor Brake System	Elevation, Cross-level
Reflector & Feed Assembly	
TX Frequency	13.75~14.5GHz Ku-band
TX Gain	48.0dBi @ Mid band
RX Frequency	10.95~12.75GHz Ku-band
RX Gain	46.6dBi @ Mid band
G/T	27.4dB/K (Clear Sky, 20° Elevation)
BUC Power	16W
LNB	Intellian PLL LNB
Polarization	Cross-pol only

Antenna Control Unit	
Dimensions (WxDxH)	43.1cm x 38.1cm x 4.4cm / 17" x 15" x 1.7"
Weight	3kg / 6.6lbs
Display	2 line 40 character graphic VFD module
Ship's Gyrocompass Interface	NMEA / NMEA 2000
Modem Interface	Ethernet port / RS-232C / I/O ports
Modem Protocol	iDirect, Comtech, SatLink, Hughes, GILAT
Remote Management	Yes
Wi-Fi Operation	Yes
Management Port	N/A
Power Requirement	90~260V AC, 47~63 Hz, 1A

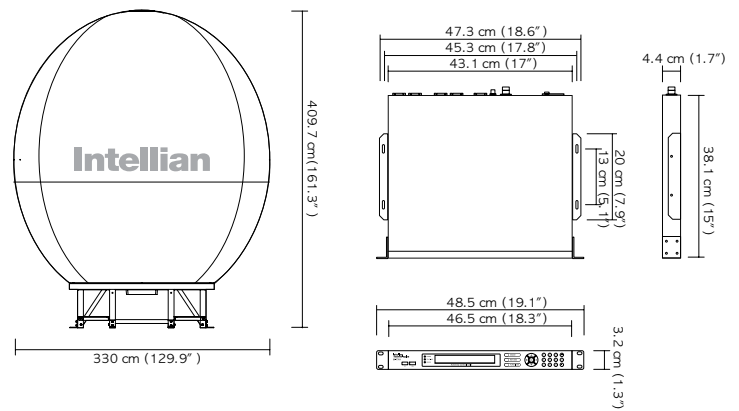
ACU Key Features

- Firmware updates can easily and reliably be made through the ACU without any hardware replacements utilizing Intellian's custom updating.
- Wi-Fi supported ACU provides convenient connection to the ACU for setup and system monitoring.
- TCP/IP supports a wide range of modem interface formats (including Ethernet, console, RS232).

System Diagram



System Dimension



Global HQ
Innovation Center/Factory
Intellian Technologies, Inc
T +82 2 511 2244
F +82 2 511 2235

APAC
Seoul Office
Intellian Technologies, Inc.
T +82 2 511 2244
F +82 2 511 2235

Americas HQ
Irvine Office
Intellian Technologies USA, Inc.
T +1 949 727 4498
F +1 949 271 4183
Toll Free +1 888-201-9223

South America
Rio de Janeiro Office
Intellian do Brasil Tecnologia Ltda.
T +55 21 3176 2048
F +55 21 9612 1431

EMEA HQ
Rotterdam Office
Intellian B.V.
T +31 1 0820 8655
F +31 1 0820 8656

EMEA
Southampton Office
Intellian Ltd.
T +44 2380 019 021
F +44 2380 767 092

