

Intellian® v80G

3-axis Ku-band

Marine Communication VSAT Antenna System



■ Gyro-free satellite search capability

Intellian's new generation Gyro-free satellite search function enables the v80G to acquire and lock onto a satellite without requiring a separate input from a ship's gyro-compass. If a heading device is available, it can be connected via an NMEA interface.

■ Save installation and maintenance time

The simplified design of v80G allows users to install and setup the system without the need for a skilled engineer. Likewise, the v80G's firmware can be updated with an external USB drive, or by Wi-Fi connection. The built in LED lamp inside the radome base provides safer and brighter maintenance environment.

■ Networking connectivity

The new Intellian LAN port on the ACU provides networking connectivity to other Intellian systems enabling integrated monitoring and control of all the Intellian networked devices.

■ Modem formats

The v80G supports a number of open standards enabling satellite network connectivity.

■ Aptus remote management

The v80G can be accessed, monitored, and controlled from any location in the world. Additionally, routine maintenance activities can be automated. Aptus helps automate firmware upgrades, tracking parameter adjustment, and system diagnosis including the event history logging feature.

■ Combined BUC power and TX signal

The v80G offers a single cable solution that supplies 48V DC power and TX signal together from its control unit via one RF cable. Intellian makes it simpler to install or retrofit.

■ Wide elevation angle

The v80G's wide-look angle pedestal is designed for extremely low or high latitude areas, such as the Scandinavian Peninsula or the Equatorial regions. Empower your vessel with the ability to travel far and wide, without the worry of signal loss.

Intellian

Connect with the best

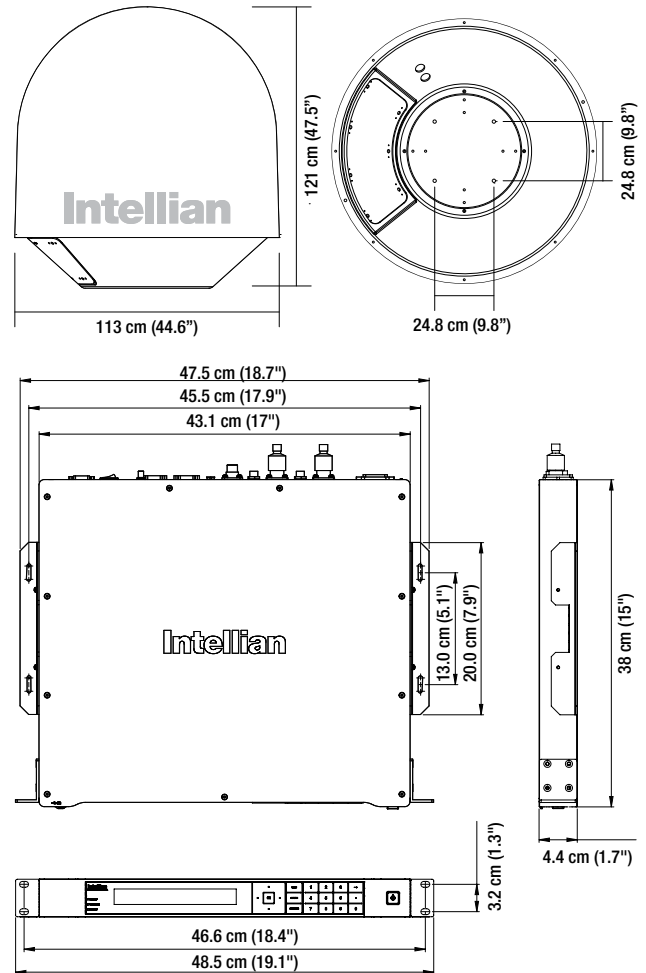
Intellian® v80G

3-axis Ku-band Marine Communication VSAT Antenna System

Technical Specifications

Physical	
Radome Height	120.5cm / 47.5"
Radome Diameter	113.3cm / 44.6"
Reflector Diameter	83cm / 32.7"
Weight	89.1kg / 196.4lbs (variable w/ RF components)
Stabilized Pedestal Assembly	
Platform	3-axis : Azimuth, Elevation, Cross-level
Azimuth Range	Unlimited
Elevation Range	-10° to +110°
Cross-level Range	±30°
Stabilization Accuracy	0.2° peak mis-pointing @ max ship motion condition
Motor Brake System	Elevation, Cross-level
Reflector & Feed Assembly	
TX Frequency	13.75~14.5GHz Ku-band
TX Gain	39.6dBi @ Mid band
RX Frequency	10.95~12.75GHz Ku-band
RX Gain	39.3dBi @ Mid band
G/T	17dB/K (Clear Sky, 30° Elevation)
BUC	4W, 8W, 16W (optional)
LNB	Intellian PLL LNB
Polarization	Cross-pol and Co-pol as standard
Antenna Control Unit	
Dimensions (WxDxH)	43.1cm x 38.1cm x 4.4cm / 17" x 15" x 1.7"
Weight	3.5kg / 7.7lbs
Display	2 line 40 character graphic VFD module
Gyrocompass Interface	NMEA / NMEA 2000
Modem Interface	Ethernet port / RS-232C / I/O ports
Modem Protocol	iDirect, Comtech, SatLink, Hughes, GILAT
Remote Management	Yes
Wi-Fi Operation	Yes
Management Port	Yes
Intellian LAN Port	Yes
Power Requirement	100~240V AC, 50~60 Hz, 4A

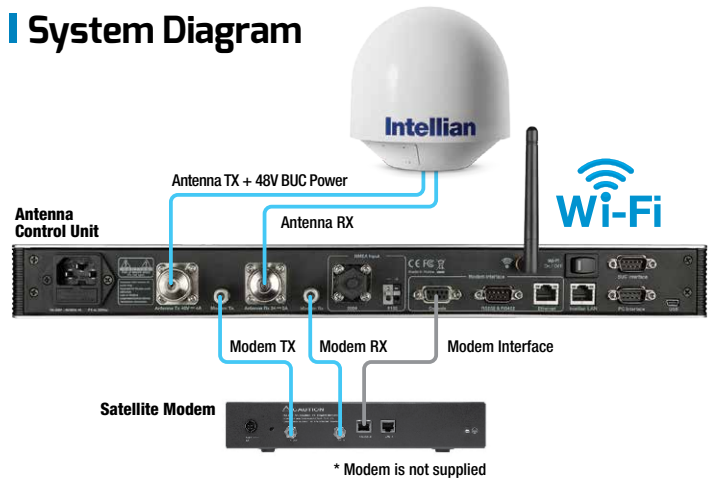
System Dimension



ACU (Antenna Control Unit) Key Features

- Firmware updates can easily and reliably be made through the ACU utilizing Intellian's custom updating software.
- Wi-Fi equipped ACU provides convenient connection to the ACU for setup and system monitoring.
- TCP/IP supports a wide range of modem interface formats (including Ethernet, Console, RS232).
- Spectrum Analyzer embedded on Aptus software allows real time monitoring of the current satellite signal graph.

System Diagram



Global HQ
Innovation Center/Factory
Intellian Technologies, Inc
T +82 2 511 2244
F +82 2 511 2235

APAC
Seoul Office
Intellian Technologies, Inc.
T +82 2 511 2244
F +82 2 511 2235

Americas HQ
Irvine Office
Intellian Technologies USA, Inc.
T +1 949 727 4498
F +1 949 271 4183
Toll Free +1 888-201-9223

South America
Rio de Janeiro Office
Intellian do Brasil Tecnologia Ltda.
T +55 21 3176 2048
F +55 21 9612 1431

EMEA HQ
Rotterdam Office
Intellian B.V.
T +31 1 0820 8655
F +31 1 0820 8656

EMEA
Southampton Office
Intellian Ltd.
T +44 2380 019 021
F +44 2380 767 092

