

Intellian® FB150

Compact Marine FleetBroadband Antenna Systems



Continuous GPS output

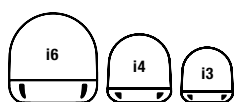
The continuous GPS output feature allows GPS data to be sent out via the RS232 port in standard NMEA 0183 format. With the built-in GPS module, the FB150 is able to provide accurate position information to on-board navigation systems such as plotters and radars.

Matching dome solutions

FB150 ships with an Intellian i2 dome as a standard, but various dome sizes are also available to match an Intellian i3, i4 or i6 domes. Now you can select a perfectly matched dome for the best and balanced appearance on your vessel.

Reliable hardware

Operating on the Inmarsat FleetBroadband Satellite Systems and reliable mechanic construction approved to Intellian standards, you can be confident of both the quality of the equipment and the support behind it.



Optional radome sizes

IP Handset

The rugged new plug-and-play IP Handset provides an intuitive user interface with a 2" TFT color screen and mobile phone type keys for making phone calls, texting SMS messages just like on shore.

Compact global maritime terminal

Weighing just 7.27lbs and 15inch high, the Intellian FB150 is a compact FleetBroadband maritime terminal.

Simultaneous voice and data access

With 150kbps data rates, FB150 provides simultaneous access to data services, voice and text messaging.

Intellian

Connect with the best

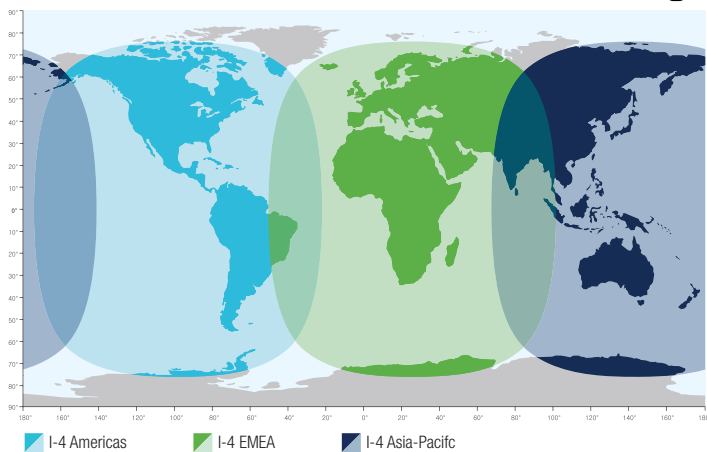
Intellian® FB150

Compact Marine FleetBroadband Antenna Systems

Technical Specifications

Physical	
ADU Dimensions	37cm x 38.1cm / 14.7" x 15"
ADU Weight	3.3kg / 7.27lbs
BDU Dimensions	36cm x 25cm x 6.7cm / 14.1" x 9.8" x 2.6"
BDU Weight	3.9kg / 8.5lbs
Environmental Conditions	
Operating Temp. Range	-25°C to +55°C / -13°F to +131°F
Operating Humidity	[ADU] EN60945, [BDU] 95% non-condensing at +40 °C
Water Ingress	[ADU] IP56, [BDU] IP31
Approvals	Inmarsat FleetBroadband/ R&TTE/ CE/ FCC
Warranty	3 years parts and 1 year labor
Global Services	
Voice	Digital 4kbps Voice
Standard IP	Up to 150kbps
SMS	Up to 160 characters (3G standard)
FAX	Group 3 (via 3.1kHz Audio)
Airtime Service	Inmarsat airtime
Frequency Band	
Tx	1626.5MHz~1675.0MHz
Rx	1518.0MHz~1559.0MHz
Ch.Width	[Rx] 10.5~189kHz, [Tx] 21~189kHz
Power Supply and Consumption	
DC Input Range	10.0~32.0V DC (isolated)
Power (max)	150W @ 10.0~32.0V (including antenna)

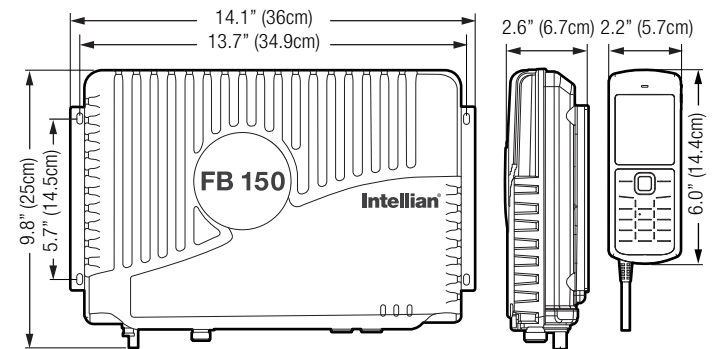
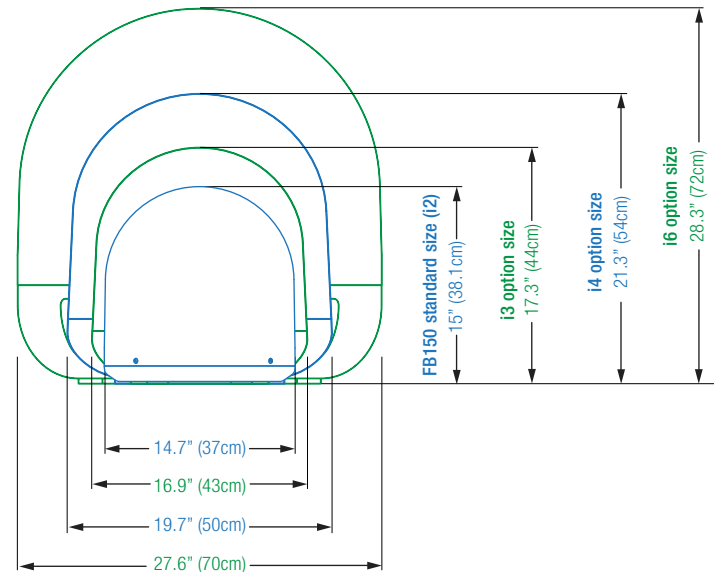
Inmarsat FleetBroadband Global Coverage



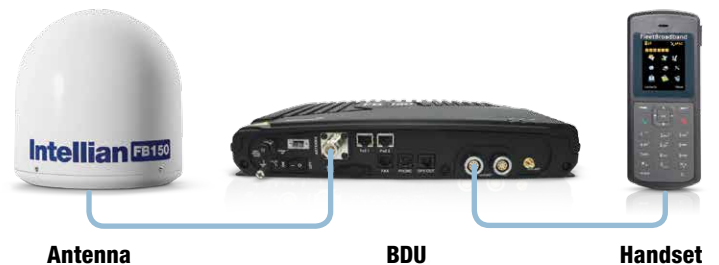
This map depicts Inmarsat's expectations of coverage, but does not represent a guarantee of service. The availability of service at the edge of coverage areas fluctuates depending on various conditions.

Systems Dimension

ADU (Above Deck Unit) Matching Dome Options



Systems Diagram



Global HQ
Innovation Center/Factory
Intellian Technologies, Inc.
T +82 2 511 2244
F +82 2 511 2235

APAC
Seoul Office
Intellian Technologies, Inc.
T +82 2 511 2244
F +82 2 511 2235

Americas HQ
Irvine Office
Intellian Technologies USA, Inc.
T +1 949 727 4498
F +1 949 271 4183
Toll Free +1 888-201-9223

South America
Rio de Janeiro Office
Intellian do Brasil Tecnologia Ltda.
T +55 21 3176 2048
F +55 21 9612 1431

EMEA HQ
Rotterdam Office
Intellian B.V.
T +31 1 0820 8655
F +31 1 0820 8656

EMEA
Southampton Office
Intellian Ltd.
T +44 2380 019 021
F +44 2380 767 092